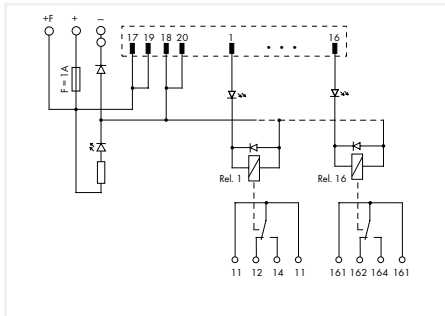
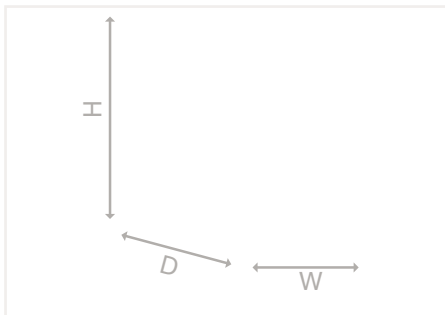


Interface Module for System Wiring 704 Series



Interface Module for System Wiring;
DIN 41651 connector; Male connector; 20-pole;
16-channel relay output; 1 changeover contact;
1 x cut-out; Double-deck PCB terminal blocks;
with mounting carrier

	Item No.	Pack. Unit
with miniature switching relay	704-5004	1
without miniature switching relay	704-5014	



Electrical Data

Inputs/Outputs	16-channel relay output
Nominal operating voltage	24 VDC
Operating voltage range	±10 %
Number of changeover/switchover contacts	1
Limiting continuous current	5 A
Making capacity	2 ms; 16 A
Switching voltage (max.)	250 VAC; 48 VDC
Switching power (resistive) max.	1250 VA (AC)/50 W (DC)
Mechanical life (NO; resistive load; 23 °C)	30 x 10 ⁶ switching operations
Status indicator	Green LED (channel); Yellow LED (power supply)
Internal fuse	Supply: 1 A; Relay output: -
WAGO Basic Relay	788-154

Safety and Protection

Pollution degree	2
Dielectric strength, control/load circuit (AC, 1 min)	3 kV _{rms}
Dielectric strength, load/load circuit (AC, 1 min)	1 kV _{rms}

Connection Data

Connection type 1	System
Pole number 1	20
Connector 1	DIN 41651 male connector
Mating direction 1	Vertical
Connection type 2	Field
Pole number 2	64
Design 2	PCB terminal blocks; double-deck
Connection technology 2	CAGE CLAMP®
Solid conductor 2	0.08 ... 2.5 mm ² / 28 ... 12 AWG
Fine-stranded conductor 2	0.08 ... 2.5 mm ² / 28 ... 12 AWG
Strip length 2	5 ... 6 mm / 0.2 ... 0.24 inch
Connection type 3	Power supply
Pole number 3	4
Design 3	PCB terminal blocks; double-deck
Connection technology 3	CAGE CLAMP®
Solid conductor 3	0.08 ... 2.5 mm ² / 28 ... 12 AWG
Fine-stranded conductor 3	0.08 ... 2.5 mm ² / 28 ... 12 AWG
Strip length 3	5 ... 6 mm / 0.2 ... 0.24 inch

Physical Data

Width	180 mm / 7.087 inch
Height from upper-edge of DIN-rail	50 mm / 1.969 inch
Depth	105 mm / 4.134 inch

Mechanical Data

Mounting type	DIN-35 rail
Housing design	Mounting carrier

Material Data

Contact material (relay)	AgNi 90/10
Weight	550 g

Environmental Requirements

Surrounding air temperature (operation)	-25 ... +50 °C
Surrounding air temperature (storage)	-40 ... +70 °C
Relative humidity	≤ 85 % (non-condensing)

Accessories



Basic Relay; 1 changeover contact; Limiting continuous current: 16 A; 13 mm wide; 15 mm high

Item No.	Pack. Unit
788-154	20